

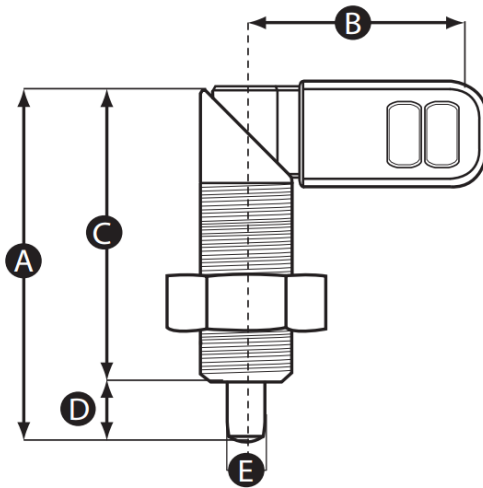
G04CP Cam Plunger

Features

- Spring-loaded stainless or blackened steel plunger with cam action and locking notch
- Comes as standard with locking nut
- Stainless steel body comes complete with black plastic cap, burnished steel without cap

Material

- Body: Blackened steel or stainless steel



Part No.	A	B	C	D	E	Thread Size	Plunger Diameter	Body Material	Includes Cap	Initiating Force	Force for Full Retraction	
G04CP-15714R	47	32	39	8	8	M12 x 1.5	8	Blackened steel	No	7 N	16 N	
G04CP-11788U	69	37	57	12	8	8	9 N			35 N		
G04CP-11786R					10	10	9 N			35 N		
G04CP-11787Y					12	12	9 N			35 N		
G04CP-11794S	52				8	M20 x 1.5	8	Stainless steel	Yes	8 N	35 N	
G04CP-11795Z					10					10	5 N	35 N
G04CP-11796V					12					12	7 N	35 N